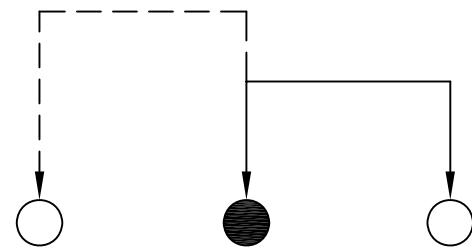
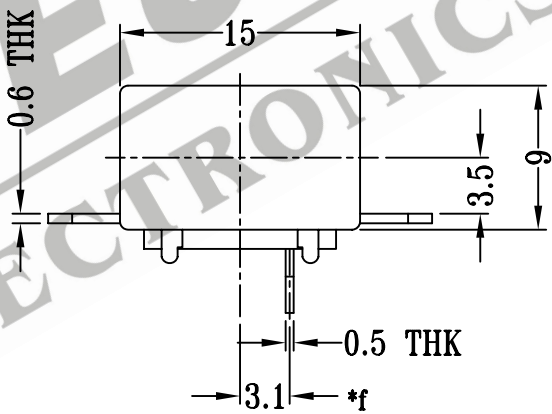
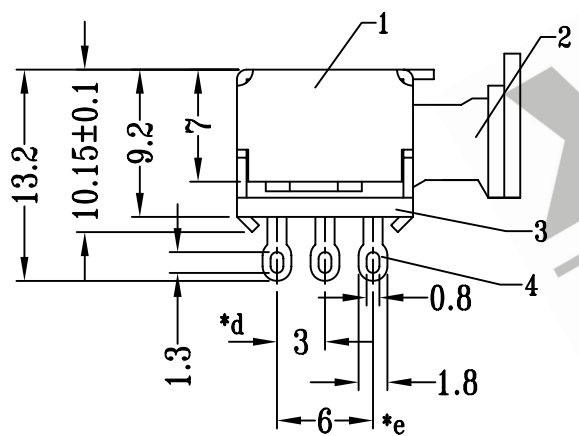
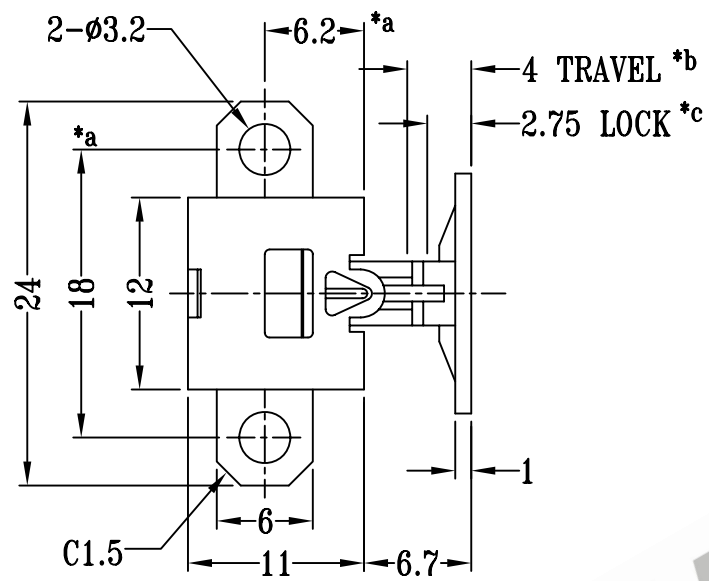
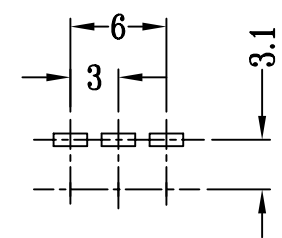


CAD FILE:



SCHEMATIC (NON-SHORTING)



P.C.B LAYOUT

注:带"*"表示关键尺寸(6个)

8	SPRING	SUS WIRE	1	TEMPER	TOLERANCE UNLESS SPECIFIED	SHENZHEN XIEJIA ELECTRONICS CO.,LTD.				
7	CAM STICK	PBS WIRE	1	Ni PLATED						
6	SPRING PLATE	PBS STRIP	1	NATURAL	WITHIN: 1.5±0.1mm	ISSUE	DATE	DESCRIPTIONS		APPD.
5	CONTACT CLIP	PBS	1	Ag CLAD	OVER : 1.5±0.2mm					
4	TERMINAL	BRASS STRIP	3	Ag PLATED OVER Ni PLATED	TITLE : PUSH SWITCH		UNIT : MM	DRWG NO.: XJ-DR-PS12F01-00		
3	BASE	PHENOLIC RESIN	1	NATURAL	MODEL: PS-12F01		SCALE: 2:1	DWN.	ZHOUYU	2002-4-13
2	KNOB	POM	1	BLACK	ALL MATERIALS MUST BE COMPLIANT TO ROHS			CHK'D	FANGYING	2002-4-13
1	FRAME	STEEL STRIP	1	Zn PLATED				APPD.	KANGXINAN	2002-4-13
NO.	PART NAME	MATERIAL	Q'TY	FINISHING						